

ACO Self

Residential Drainage & Landscape Products

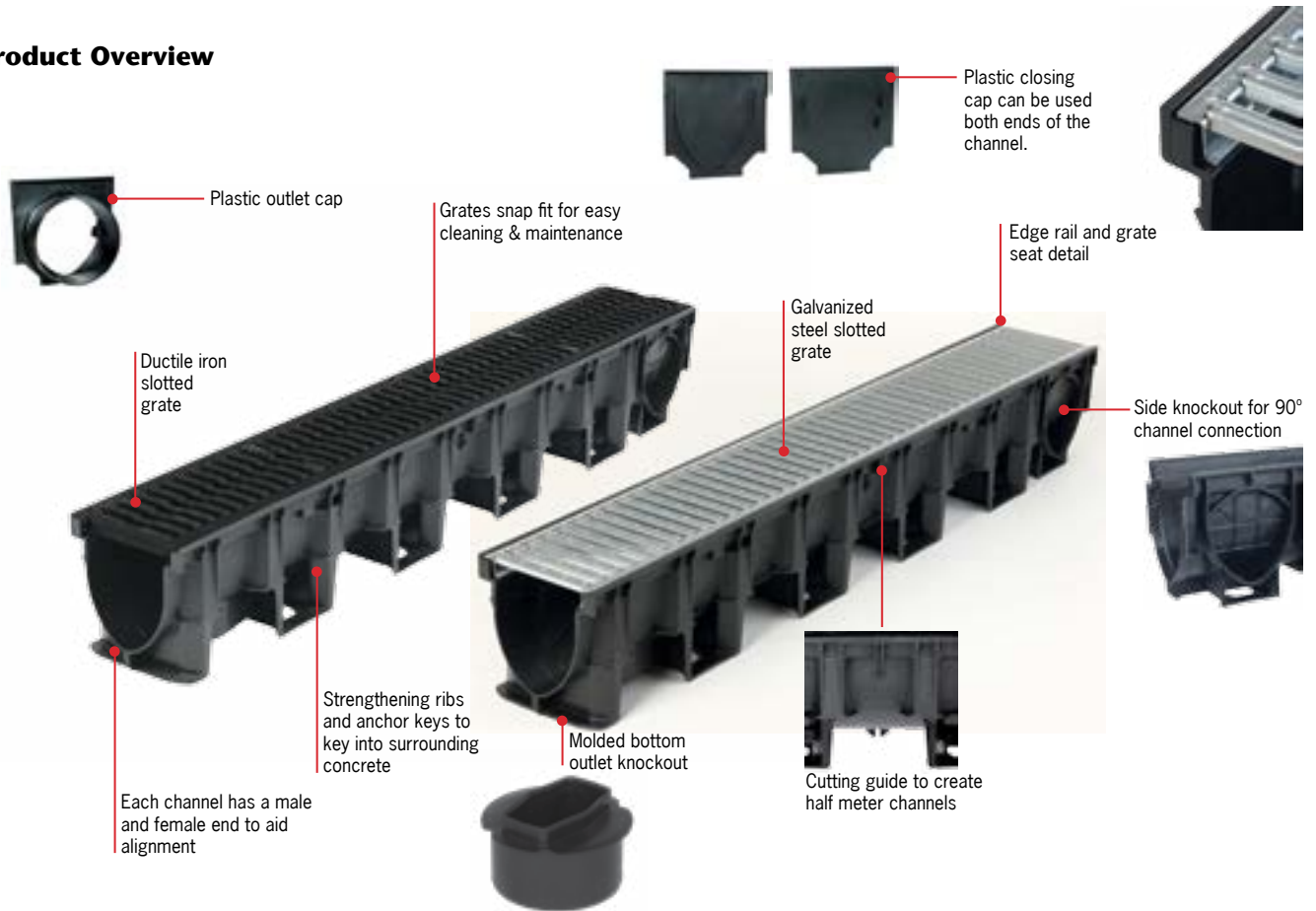
ACO GalaLine is a light to medium duty trench drain designed to provide an effective solution for a wide variety of semi-professional applications while using the minimum number of components.

Suitable for pedestrian/light vehicle/light commercial traffic applications such as:

- Residential driveways
- Patios
- Walkways
- Basements
- Pools
- Light Commercial
- Private & Public Parking
- Schools



Product Overview



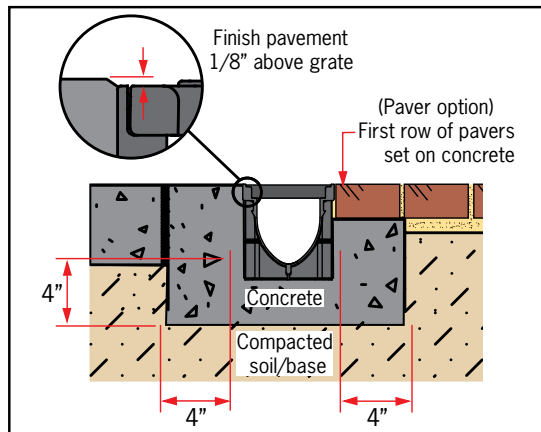
For heavier duty sloped trench drain requirements use ACO Drain.

Part Table

	Part No.	Length inches	Width inches	Height inches	Wgt. lbs.
Plastic GalaLine channel (1 meter)	11440	39.4	5.4	6.0	3.9
Galvanized steel slotted grate (1 meter)	11445	39.4	5.4	-	3.45
Ductile iron grate (0.5 meter)*	11450	39.4	5.4	-	6.7
Bottom outlet 4" pipe	11285	-	-	-	2.6
Bottom outlet 6" pipe	11286	-	-	-	3.0
Closing cap	11433	-	5.4	6.0	0.2
Outlet cap 4" pipe	11434	-	5.4	6.0	0.2

*2 grates needed to fill 1 meter channel.

Installation Instructions



Excavate area to accommodate trench drain and 4" concrete surround, compact base.



Cut channels to fit required length (if necessary).



Knockout channel base for outlet at required position.



Push-fit outlet adaptor into bottom of channel, lay outlet channel first and connect to 4" or 6" SDR or schedule 40 pipe (Adaptor required for Sch 40).



Lay 4" deep concrete bed. Lay channels working away from outlet. Concrete surround should extend up channel sides into recesses to hold channel in place.



Finish pavement/pavers must be 1/8" higher than the grate.

For pedestrian **ONLY** applications, trench drain can be set directly on well compacted ground. For driveway applications, trench drain **MUST** be surrounded by 4" of concrete.

ACO Systems, Ltd.

1-2880 Brighton Rd.
Oakville, ON L6H 5S3
Tel: (905) 829-0665
Fax: (905) 829-2908

Electronic Contact

info@acocan.ca
www.acoself.com

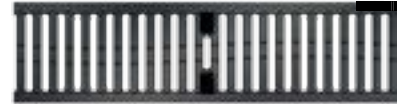
Follow us on



Grates



Galvanized steel - 0.47" (12mm) slot
Intake area per meter grate - 82.9 in²



Ductile iron - 0.31" (8mm) slot
Intake area per meter grate - 56.1 in²

Accessories

Plastic closing cap can be used at both ends of the channel

Plastic 4" outlet cap

Plastic 4" bottom outlet

Plastic 6" bottom outlet

